

Expand Your Cutting Universe –

Get more of what you expect in **one** cut-off machine



- Largest cutting table in its class provides exceptional flexibility
- Unmatched user interface for time-saving operation
- Newest cutting technologies deliver fast, accurate cuts

Expect More from Your Cutting Process

Discotom-100/-10 are versatile table top cut-off machines designed to give you a cost-efficient way to expand your cutting capabilities and streamline your cutting processes. Spacious, versatile and easy-to-use, Discotom-100/-10 deliver exceptional cutting flexibility and more cutting options so you can clamp and cut all types of workpieces efficiently, with less effort and minimum deformation.



More Cutting Space

Discotom has the largest cutting table and cutting chamber in its class. Measuring 620 x 270 mm, the cutting table is almost twice the size of competing machines. Now you can clamp and cut all kinds of workpieces, including larger and more complex samples without having to make coarse sectioning on another machine.

Greater Cutting Flexibility

Take on a wide variety of cutting tasks with one machine. Discotom is designed for maximum versatility and provides both automatic and manual cutting capabilities, and innovative cutting methods.

With Discotom, you can choose automatic direct cutting mode where the workpiece is moved against the cut-off wheel using constant feed speed. Or choose Impact Cutting when the cut-off wheel gets clogged by removed material.

For manual cutting, Discotom is equipped with Struers' popular ExciCut feature that makes it possible to section harder and larger workpieces in an efficient way.

A motorized locking system for the cutting arm ensures the cut-off wheel stays positioned correctly during automatic cutting, and makes the change between manual and automatic cutting easy and fast.

9 Features that Boost Cutting Productivity

- **VarioSpeed** (Discotom-100) - the cut-off wheel speed can be adjusted from 1.500 to 3.000 rpm to optimise for material hardness and application.
- **OptiFeed** - ensures the correct feed speed without compromising cut quality or wheel economy.
- **AxioWash** - automatic cleaning program to clean the inside of the machine.
- **ExciCut** - speeds up manual cutting of very hard materials.
- **Method database** - store up to 20 cutting methods for easy retrieval.
- **Cut-off wheel database** - All Struers' cut-off wheels are stored with recommended rotational speed and wheel thickness.
- **Intelligent speed adjustment** (Discotom-100) - ensures the correct speed for a given cut-off wheel in combination with the hardness of the material. The same wheel can be used for different materials without sacrificing the quality of the cut.
- **MultiCut** with automatic x-table* - for serial cutting of slices.
- **Line laser*** - enables precise alignment of the workpiece without having to move the cut-off wheel.



*Optional



**UNMATCHED
USER-FRIENDLINESS**

Intelligent Time-Saving Features and Accessories

Like all of Struers' materialographic products, Discotom is designed to be easy-to-use with many time-saving controls, features and accessories. It is straightforward to set the parameters for cutting processes using the proven Turn/Push knob, and the icon-based colour display gives you all the information you need in one view.

Discotom-100 helps to ensure the correct cut-off wheel speed - automatically. Enable the intelligent speed adjustment, select the hardness of the material you want to cut and the machine automatically sets the correct speed. The same wheel can be used for different materials saving time exchanging wheels.

The automatic x-table (available as accessory) increases the already high flexibility of Discotom even more. It allows for 4 Multi-Cut functions so you can cut slices of the same or varying thickness, or cut precisely in specified positions.

As with all of Struers' products, safety comes first. Discotom requires two-hand safety operation of the cutting table when the hood is opened. As soon as the hood is closed, the joystick alone can be used to operate the cutting table.

Discotom provides a unique horizontal LED light bar that illuminates the entire cutting chamber both when opened and closed.



Spacious, versatile



Horizontal LED light bar

Large cutting chamber



Automatic and manual cleaning

Very large cutting table



Automatic x-table*

Cooling System 4*



Two-hand safety operation with open hood



and easy-to-use



ø 300 mm / 12"
ø 250 mm / 10"
cut-off wheels

Easy-to-use
control panel

No rust
aluminum base



Emergency stop



Motorized locking brake



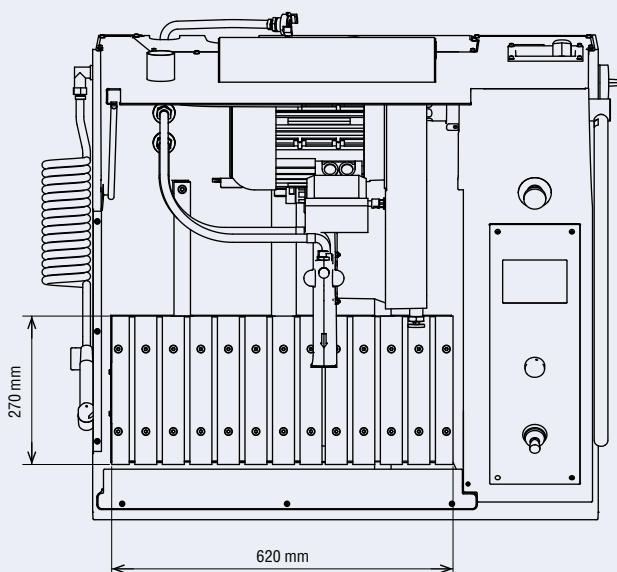
Line laser*



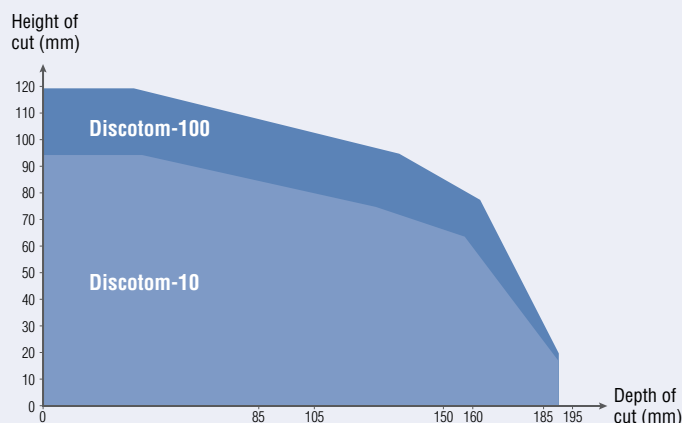
Table unit*

*Optional

TECHNICAL DATA - Discotom-100/-10



CUTTING CAPACITY



Subject

Specification

Metric / Imperial

Cutting capacity (max)

Discotom-100 (ø 300 mm/12" cut-off wheels)

ø 119 mm / 4.68" with 61 mm / 2.4" flange

Discotom-10 (ø 250 mm/10" cut-off wheels)

ø 94 mm / 3.70" with 61 mm / 2.4" flange

PHYSICAL SPECIFICATIONS

Cutting motor	Nominal load (S1)	Intermittent (S3)
Discotom-100 / 50-60 Hz	4 kW / 5.4 HP	4.7 kW / 6.4 HP
Discotom-10 / 50 Hz	2.5 kW / 3.4 HP	3.2 kW / 4.3 HP
Discotom-10 / 60 Hz	3 kW / 4 HP	3.8 kW / 5.1 HP
Cut-off wheel for Discotom-100	Diameter x Thickness x Centre-hole Variable speed	300 x 2.0 x 32 mm / 12 x 0.08 x 1.26" 1500 - 3000 rpm
Cut-off wheel for Discotom-10	Diameter x Thickness x Centre-hole Fixed speed	250 x 1.5 x 32 mm / 10 x 0.06 x 1.26" 2850 rpm
Positioning & Feed	Positioning range (of cut-off wheel) Max. height of sample underneath cut-off wheel Max. positioning speed Feed Speed range (adjustable in steps of)	Z= 165 mm 80 mm @ 300 mm wheel 105 mm @ 250 mm wheel Y= 20 mm/s / 0.8"/s, X= 10 mm/s / 0.4"/s 0.05 - 2.5 mm/s / 2 - 100 mils/s (0.05 mm/s / 2 mils/s)
Cutting table		
Fixed cutting table	Width x Depth y-table range	620x270 mm / 24.4 x 10.6" 200 mm / 7.9"
x-table (option)	Width x Depth x-table range	282x270 mm / 11.1 x 10.6" 100 mm / 3.9"
T-slots		10 mm / 0.39"
Dimensions and weight	Width Depth Height Weight	920 mm / 36" 890 mm / 35" 685 mm / 27" 200 kg / 440 lbs

Struers Support Commitment

Struers is committed to helping you achieve maximum performance from your Struers equipment. Based on a wide range of knowledge and support services, the Struers Support Commitment applies to all Struers customers anywhere in the world.

- Global hotline support
- Global network of certified field service engineers
- Global network of materialographic specialists
- Documentation support online
- Annual service review
- Access to complete range of performance enhancing services
- All critical parts on stock for immediate shipping

SPECIFICATIONS

Discotom-100 with fixed table

Automatic cut-off machine with variable spindle speed and variable automatic feed. 4.0 kW motor. For 300 mm (12") cut-off wheels. Cutting table with 10 mm T-slots. Recirculation cooling unit (05766xxx) and clamping tools are ordered separately. Optional table unit (06266101) can be used.

Cat. no:	Voltage
06156129	3 x 200-240 V / 50-60 Hz
06156146	3 x 380-480 V / 50-60 Hz

Discotom-100 with automatic x-table

Automatic cut-off machine with automatic x-table, variable spindle speed and variable automatic feed. 4.0 kW motor. For 300 mm (12") cut-off wheels. Cutting table with 10 mm T-slots. Recirculation cooling unit (05766xxx) and clamping tools are ordered separately. Optional table unit (06266101) can be used.

Cat. no:	Voltage
06156229	3 x 200-240 V / 50-60 Hz
06156246	3 x 380-480 V / 50-60 Hz

Discotom-10 with fixed table

Automatic cut-off machine with fixed spindle speed (2.850 rpm) and variable automatic feed. 2.2 kW motor. For 250 mm (10") cut-off wheels. Cutting table with 10 mm T-slots. Recirculation cooling unit (05766xxx) and clamping tools are ordered separately. Optional table unit (06266101) can be used.

Cat. no:	Voltage
06256129	3 x 200 V / 50 Hz
06256130	3 x 200-210 V / 60 Hz
06256135	3 x 220-230 V / 50 Hz
06256136	3 x 220-240 V / 60 Hz
06256146	3 x 380-400 V / 50 Hz
06256147	3 x 380-415 V / 60 Hz
06256154	3 x 460-480 V / 60 Hz

Discotom-10 with automatic x-table

Automatic cut-off machine with automatic x-table, fixed spindle speed (2.850 rpm) and variable automatic feed. 2.2 kW motor. For 250 mm (10") cut-off wheels. Cutting table with 10 mm T-slots. Recirculation cooling unit (05766xxx) and clamping tools are ordered separately. Optional table unit (06266101) can be used.

Cat. no:	Voltage
06256229	3 x 200 V / 50 Hz
06256230	3 x 200-210 V / 60 Hz
06256235	3 x 220-230 V / 50 Hz
06256236	3 x 220-240 V / 60 Hz
06256246	3 x 380-400 V / 50 Hz
06256247	3 x 380-415 V / 60 Hz
06256254	3 x 460-480 V / 60 Hz

Struers' equipment is in conformity with the provisions of the applicable International Directives and their appurtenant Standards. (Please contact your local supplier for details)

Struers' products are subject to constant product development. Therefore, we reserve the right to introduce changes in our products without notice.

ACCESSORIES

Quick clamping tool for 10 mm T-slots

For securing the workpiece on the left or right side of the cut-off wheel. Complete with backstop. Jaw movement: 50 mm. Jaw height: 58 mm.
Left
Right

Cat.no

05876909
05876910

Quick clamping tool with short stroke for 10 mm T-slots

For securing regular workpieces on left or right side of cut-off wheel. Complete with backstop and spanner. Jaw movement: 12 mm. Jaw height: 58 mm.
Left
Right

05876935
05876937

Spring clamp for 10 mm T-slots, right

For retaining the workpiece on the right side of the cut-off wheel. Complete with backstop and spanner.

05136903

Vertical quick clamping tool for 10 mm T-slots, left

For securing the workpiece on the left side of the cut-off wheel. Max sample height: 50 mm.

05876925

High vertical quick clamping tool for 10 mm T-slots, left

For securing the workpiece on the left side of the cut-off wheel. Max sample height: 85 mm. Min sample height: 35 mm.

05876933

Jaw blocks for 10 mm T-slots

Single prism type
for use with vertical quick clamping tool (05876925, 05876933)

05876926

Prism type
Rubber-coated
Grooved

05876913
05876915
05876917

for use with quick clamping tool (05876909, 05876910, 05876935, 05876937)

Vertical clamping tool for 10 mm T-slots

For clamping irregularly shaped workpieces on the cutting table. Clamping height is adjustable up to 58 mm. Complete with operating key and one flat clamping shoe.

05116905

T-slot turnable for 10 mm T-slots

0-90 degree turnable for angular cutting. For use with various 10 mm T-slot clamping tools. Table height 42 mm. Table size 185x140 mm.

05876905

Please see separate brochure for full list of clamping tools.

Safety extension box for Discotom-100/-10

For cutting of long samples protruding the cutting chamber, to be mounted on the left hand side of Discotom-100/-10. For samples with a maximum size of HxW: 119 x 195 mm / 4.7 x 7.7". Dimensions WxDxH: 469 x 427 x 307 mm. For Discotom-100 from serial no.: 61510048
For Discotom-10 from serial no.: 62510050

06156901

Line laser

Laser alignment aid. Visualizes cutting line.

06156912

Replacement stainless steel bands

For Discotom-100 /-10 cutting table. 270 x 40 mm. Set of 2.

R6150200

Table unit for Discotom

With compartment for recirculation cooling unit, drawer for tools and shelves for cut-off wheels. Width: 930 mm, depth: 950 mm, height: 800 mm.

06266101

Extension for table unit

Can be mounted on both right and left hand side. Width: 400 mm, depth 950 mm

06266901

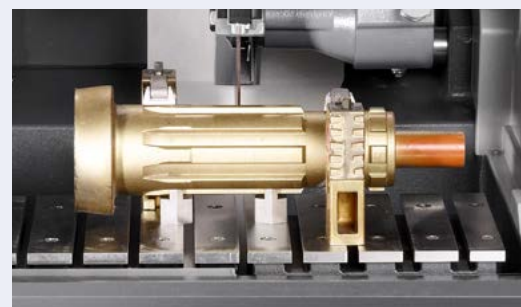
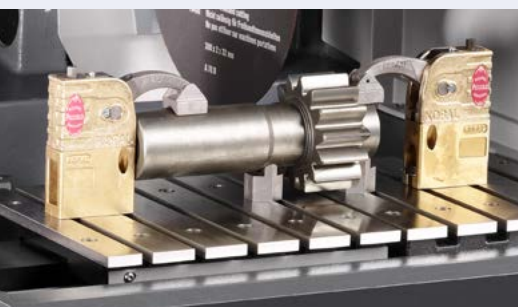
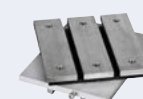
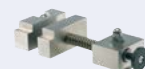
Cooling System 4

With 100 l tank, large pump, Cooli-1, filter bag and adapter plate, consists of: 05766905, 057660xx, 05761116, 05766928, 05766927

Voltage

1 x 100 V / 50 Hz
1 x 100-120 V / 60 Hz
1 x 220-240 V / 50Hz
1 x 220-240 V / 60 Hz

05766716
05766723
05766722
05766724



FLEXIBLE CLAMPING

Struers ApS
Pederstrupvej 84
DK-2750 Ballerup, Denmark

Phone +45 44 600 800
Fax +45 44 600 801
struers@struers.dk
www.struers.com

SINGAPORE
Struers Singapore
627A Aljunied Road,
#07-08 BizTech Centre
Singapore 389842
Phone +65 6299 2268
Fax +65 6299 2661
struers.sg@struers.dk

SPAIN
Struers España
Camino Cerro de los Gamos 1
Building 1 - Pozuelo de Alarcón
CP 28224 Madrid
Teléfono +34 917 901 204
Fax +34 917 901 112
struers.es@struers.es

SUOMI
Struers ApS, Suomi
Hietaladhenranta 13
00180 Helsinki
Puhelin +358 (0)207 919 430
Faksi +358 (0)207 919 431
finland@struers.fi

SWEDEN
Struers Sverige
Box 20038
161 02 Bromma
Telefon +46 (0)8 447 53 90
Telefax +46 (0)8 447 53 99
info@struers.se

UNITED KINGDOM
Struers Ltd.
Unit 11 Evolution @ AMP
Whittle Way, Catcliffe
Rotherham S60 5BL
Tel. +44 0845 604 6664
Fax +44 0845 604 6651
info@struers.co.uk

USA
Struers Inc.
24766 Detroit Road
Westlake, OH 44145-1598
Phone +1 440 871 0071
Fax +1 440 871 8188
info@struers.com

AUSTRALIA & NEW ZEALAND
Struers Australia
27 Mayneview Street
Milton QLD 4064
Australia
Phone +61 7 3512 9600
Fax +61 7 3369 8200
info.au@struers.dk

BELGIQUE (Wallonie)
Struers S.A.S.
370, rue du Marché Rollay
F- 94507 Champigny
sur Marne Cedex
Téléphone +33 1 5509 1430
Télécopie +33 1 5509 1449
struers@struers.fr

BELGIUM (Flanders)
Struers GmbH Nederland
Zomerdijk 34 A
3143 CT Maassluis
Telefoon +31 (10) 599 7209
Fax +31 (10) 5997201
netherlands@struers.de

CANADA
Struers Ltd.
7275 West Credit Avenue
Mississauga, Ontario L5N 5M9
Phone +1 905-814-8855
Fax +1 905-814-1440
info@struers.com

CHINA
Struers Ltd.
No. 1696 Zhang Heng Road
Zhang Jiang Hi-Tech Park
Shanghai 201203, P.R. China
Phone +86 (21) 6035 3900
Fax +86 (21) 6035 3999
struers@struers.cn

CZECH REPUBLIC & SLOVAKIA
Struers GmbH Organizační složka
vědeckotechnický park
Přílepská 1920,
CZ-252 63 Roztoky u Prahy
Phone +420 233 312 625
Fax +420 233 312 640
czechrepublic@struers.de
slovakia@struers.de

DEUTSCHLAND
Struers GmbH
Carl-Friedrich-Benz-Straße 5
D-47877 Willich
Telefon +49 (0) 2154 486-0
Fax +49 (0) 2154 486-222
verkauf@struers.de

FRANCE
Struers S.A.S.
370, rue du Marché Rollay
F-94507 Champigny
sur Marne Cedex
Téléphone +33 1 5509 1430
Télécopie +33 1 5509 1449
struers@struers.fr

HUNGARY
Struers GmbH
Magyarországi Fióktelep
Tatai ut 53
2821 Gyermely
Phone +36 (34) 880546
Fax +36 (34) 880547
hungary@struers.de

IRELAND
Struers Ltd.
Unit 11 Evolution@ AMP
Whittle Way, Catcliffe
Rotherham S60 5BL
Tel. +44 0845 604 6664
Fax +44 0845 604 6651
info@struers.co.uk

ITALY
Struers Italia
Via Monte Grappa 80/4
20020 Arese (MI)
Tel. +39-02/38236281
Fax +39-02/38236274
struers.it@struers.it

JAPAN
Marumoto Struers K.K.
Takara 3rd Building
18-6, Higashi Ueno 1-chome
Taito-ku, Tokyo 110-0015
Phone +81 3 5688 2914
Fax +81 3 5688 2927
struers@struers.co.jp

NETHERLANDS
Struers GmbH Nederland
Zomerdijk 34 A
3143 CT Maassluis
Telefoon +31 (10) 599 7209
Fax +31 (10) 5997201
netherlands@struers.de

NORWAY
Struers ApS, Norge
Sjøslogenveien 44C
1407 Vinterbro
Telefon +47 970 94 285
info@struers.no

ÖSTERREICH
Struers GmbH
Zweigniederlassung Österreich
Betriebsgebiet Puch Nord 8
5412 Puch
Telefon +43 6245 70567
Fax +43 6245 70567-78
austria@struers.de

POLAND
Struers Sp. z o.o.
Oddział w Polsce
ul. Jasnogórska 44
31-358 Kraków
Phone +48 12 661 20 60
Fax +48 12 626 01 46
poland@struers.de

ROMANIA
Struers GmbH, Sucursala Bucuresti
Str. Preciziei nr. 6R
062203 sector 6, Bucuresti
Phone +40 (31) 101 9548
Fax +40 (31) 101 9549
romania@struers.de

SCHWEIZ
Struers GmbH
Zweigniederlassung Schweiz
Weissenbrunnstraße 41
CH-8903 Birmensdorf
Telefon +41 44 777 63 07
Fax +41 44 777 63 09
switzerland@struers.de

Ensuring Certainty

With offices and affiliates in 24 countries and a presence in more than 50 countries worldwide, Struers is the world's leading materialographic solution supplier. We are dedicated to enabling our customers to ensure certainty in all aspects of materialographic preparation and testing as well as material hardness testing - wherever they are in the world. Struers offers a complete range of equipment, consumables, service and training programmes – all supported by the most comprehensive knowledge base, global applications support and a certified global service set-up.

Learn more

Contact a Struers sales representative today or visit www.struers.com



e-Shop

Buy your consumables
in Struers e-Shop!
e-shop.struers.com