

## Bring it on Tackling manual cutting from A-Z



- Powerful
- Big capacity
- Easy to use

# Manual quality cutting taken to a new level

Labotom-15 is a manual cut-off machine for 350 mm dia. cut-off wheels which enables quality cutting of all kinds of workpieces, including large and odd-size items. Powerful, strong and easy to use, Labotom-15 gives you a cost-effective and convenient way to increase your manual cutting capacity.



## Big cutting capacity – when and where you need it

Labotom-15 is a heavyweight when it comes to manual cutting. With a powerful motor and proven design, Labotom-15 handles almost all your manual cutting tasks – quickly and efficiently.

A spacious cutting chamber and very large cutting table facilitates the cutting of workpieces of all sizes and shapes. You can even cut workpieces that exceed the width of the cutting chamber. Convenient fixation holes provide flexible customized clamping.

## Fast, simple and safe

With its straightforward control panel, the ergonomic handle as well as safety lock and emergency stop, the Labotom-15 is not only extremely user-friendly - it also provides optimal protection of its users.

## Exceptional access

The Labotom-15 cover is hinged on the back and opens wide for easy access enabling you to position and maneuver large workpieces with ease. The very large cutting table has 10 mm T-slots for flexible clamping.

## Strong, sturdy and reliable

Whether you are cutting large or small workpieces, simple or odd-size ones, all day, every day or just once in a while, Labotom-15's robust and straightforward design ensures easy and reliable operation. The base of the machine is made of no-rust aluminum to ensure maximum durability and long lifetime.

## Just walk up and use

- Only three buttons – Start, Stop and Flushing.
- Ergonomic handle for a firm but comfortable and controlled grip.
- Flexible LED light to see what you are doing.
- Quick clean-up using the handy flushing gun.
- Efficient cooling for good cutting quality
- Safety lock and an emergency stop for optimal user safety.



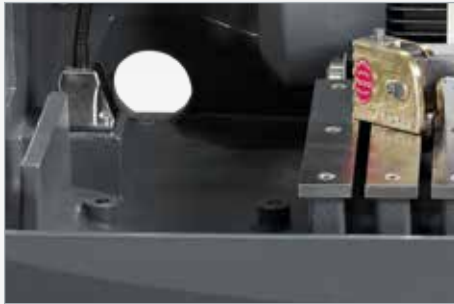
# Powerful, sturdy



Flexible LED light

Large cutting chamber

Smooth closing of cover



Fixation holes for customized clamping

Effective cooling



Flushing gun for easy cleaning

No rust aluminum base



Safety extension box\*



# and easy-to-use



350 mm / 14" dia.  
cut-off wheel

Ergonomic  
cutting handle

Large cutting table

Table unit\*



Wheels for easier placement



Safety lock



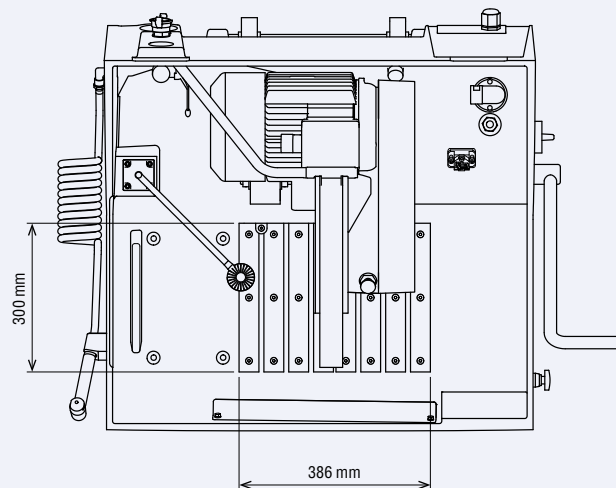
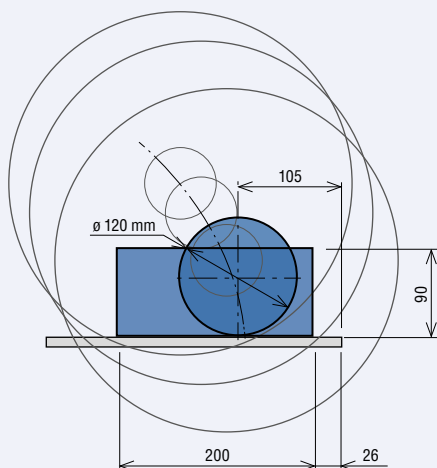
Emergency stop



Easy-to-use control panel

*\*Optional*

## CUTTING SPECIFICATIONS - Labotom-15



### TECHNICAL DATA

#### Cut-off wheel

Size	350 mm / 14" dia. (300 mm / 12" dia.)
Arbor size	32 mm / 1.26" dia.
Rotational speed (running idle)	2350 rpm
Cutting capacity *	120 mm dia. / 4.7" dia. or 90 x 200 mm / 3.5" x 8"

#### Cutting table

Width	300 mm / 11.8"
Length	386 mm / 15.2"
T-slots	10 mm

#### Cutting motor

Voltages	Nominal load S1	Intermittent S3 (15 %)	Fuse
3 x 200 V / 50 Hz	5.2 kW / 7.0 HP	7.5 kW / 10 HP	50 A
3 x 200 - 210 V / 60 Hz	6.3 kW / 8.3 HP	8.5 kW / 11.4 HP	50 A
3 x 220 - 230 V / 50 Hz	5.2 kW / 7.0 HP	7.5 kW / 10 HP	50 A
3 x 220 - 240 V / 60 Hz	6.3 kW / 8.3 HP	8.5 kW / 11.4 HP	50 A
3 x 380 - 415 V / 50 Hz	5.2 kW / 7.0 HP	7.5 kW / 10 HP	40 A
3 x 460 - 480 V / 60 Hz	6.3 kW / 8.3 HP	8.5 kW / 11.4 HP	40 A

#### Dimensions

Width	870 mm / 34.3"
Width with handle	1086 mm / 42.8"
Depth	877 mm / 34.5"
Height	660 mm / 26"
Height, open cover	1045 mm / 41.1"
Weight	180 kg / 397 lbs

**Noise level** 70 dBA, at idle running, at a distance 1.0 m / 39.4"

**Surrounding temperature** 5 - 40 °C / 41-104 °F

**Humidity** 0 - 95 % RH, non condensing

**Safety** Please refer to the Declaration of Conformity

### SPECIFICATIONS

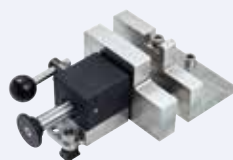
Manual cut-off machine. Motor power 5.2 / 6.3 kW (7.0 / 8.3 HP). For 350 mm (14") dia. cut-off wheels. 10 mm T-slots cutting table.

Recirculation cooling unit (057667xx), quick-clamping device (05876909), vertical quick clamping device (05876933), spring clamp (05136903) and vertical clamping system (05116905), respectively, are ordered separately.

Optional table unit (06266101) can be used.

Cat. no:	Voltage
06056129	3 x 200 V / 50 Hz
06056130	3 x 200-210 V / 60 Hz
06056135	3 x 220-230 V / 50 Hz
06056136	3 x 220-240 V / 60 Hz
06056146	3 x 380-415 V / 50 Hz
06056154	3 x 460-480 V / 60 Hz

\* The actual cutting capacity depends on the specific workpiece dimensions, cut-off wheel and clamping technique.



## ACCESSORIES AND CONSUMABLES

Cat.no

### Quick Clamping Device

For securing the workpiece. To be mounted on the left side of the cut-off wheel. Complete with backstop. Max clamping width: 50 mm.

06316912



### Vertical Clamping Device

For clamping irregularly shaped workpieces on the cutting table. Clamping height is adjustable up to 58 mm. Complete with operating key and one flat clamping shoe. Used for 10 mm T-slot.

05116905

### Swivel shoes for Vertical Clamping Device

Set of 4 multi-shaped swivel shoes for Vertical Clamping Device (05046904, 05116905 or 05036915).

05116911

### Arm Extension

For extending arm of Vertical Clamping Device (05036915, 05046904 and 05116905)

05046906



### Riser block for 10 mm T-slots

For elevating vertical clamping system (05116905) when clamping high workpieces. To increase the clamping height by 60 mm

05116910

### Vertical Quick Clamping Device

For securing the workpiece. To be mounted on the left side of the cut-off wheel. Max clamping width: 50 mm

05876925



### High Vertical Quick Clamping Device

For securing the workpiece. To be mounted on the left side of the cut-off wheel. Max clamping width: 85 mm

05876933



### Single Prism for Vertical Quick Clamping Device

Jaw block for optimum clamping of cylindrical and oval workpieces. For use with Vertical Quick Clamping Device for 10 mm T-slots (05876925).

05876926



### Spring Clamp

For retaining the workpiece. Complete with backstop. To be mounted on Discotom-60/-65, Discotom-6, Labotom-5 and Labotom-15 at the right side of the cut-off wheel. For 10 mm T-slots.

05136903

### Low Quick Clamping Device

With 42 mm high clamping plate and backstop for right-hand side of the cut-off wheel on Labotom-15. For retaining the cut-off part of the workpiece. For 10 mm T-slots.

05876932



### Safety Extension Box

For extending the cutting chamber when cutting long workpieces. To be mounted on the left-hand side of Labotom-15. For workpieces with a maximum size of: 120 mm / 4.7" dia. or 200 x 90 mm / 8" x 3.5". Dimensions: 512 x 320 x 320 mm / 20.1 x 12.6 x 12.6"

06056903

### Additional Cooling Unit

Cooling unit with one water jet for flexible cooling of the workpieces.

06056902



### Cooling System 4

With 100 l tank, large pump, Cooli-1, filter bag and adapter plate, consists of: 05766905, 057660xx, 05761116, 05766928, 05766927

#### Voltage

1 x 100 V / 50 Hz

05766716

1 x 100-120 V / 60 Hz

05766723

1 x 220-240 V / 50Hz

05766722

1 x 220-240 V / 60 Hz

05766724



### Table unit

For Discotom and Labotom cut-off machines. With compartment for recirculation cooling unit, drawer for tools and shelves for cut-off wheels. Width: 930 mm, depth: 950 mm, height: 800 mm.

06266101

*Struers' equipment is in conformity with the provisions of the applicable International Directives and their appurtenant Standards. (Please contact your local supplier for details)*

*Struers' products are subject to constant product development. Therefore, we reserve the right to introduce changes in our products without notice.*

**Struers ApS**  
 Pederstrupvej 84  
 DK-2750 Ballerup, Denmark

Phone +45 44 600 800  
 Fax +45 44 600 801  
 struers@struers.dk  
 www.struers.com

**SINGAPORE**  
**Struers Singapore**  
 627A Aljunied Road,  
 #07-08 BizTech Centre  
 Singapore 389842  
 Phone +65 6299 2268  
 Fax +65 6299 2661  
 struers.sg@struers.dk

**SPAIN**  
**Struers Espana**  
 Camino Cerro de los Gamos 1  
 Building 1 - Pozuelo de Alarcón  
 CP 28224 Madrid  
 Teléfono +34 917 901 204  
 Fax +34 917 901 112  
 struers.es@struers.es

**FINLAND**  
**Struers ApS, Suomi**  
 Hietalahdenranta 13  
 00180 Helsinki  
 Puhelin +358 (0)207 919 430  
 Faksi +358 (0)207 919 431  
 finland@struers.fi

**SWEDEN**  
**Struers Sverige**  
 Box 20038  
 161 02 Bromma  
 Telefon +46 (0)8 447 53 90  
 Telefax +46 (0)8 447 53 99  
 info@struers.se

**UNITED KINGDOM**  
**Struers Ltd.**  
 Unit 11 Evolution @ AMP  
 Whittle Way, Catcliffe  
 Rotherham S60 5BL  
 Tel. +44 0845 604 6664  
 Fax +44 0845 604 6651  
 info@struers.co.uk

**USA**  
**Struers Inc.**  
 24766 Detroit Road  
 Westlake, OH 44145-1598  
 Phone +1 440 871 0071  
 Fax +1 440 871 8188  
 info@struers.com

**AUSTRALIAN & NEW ZEALAND**  
**Struers Australia**  
 27 Mayneview Street  
 Milton QLD 4064  
 Australia  
 Phone +61 7 3512 9600  
 Fax +61 7 3369 8200  
 info.au@struers.dk

**BELGIUM (Wallonie)**  
**Struers S.A.S.**  
 370, rue du Marché Rollay  
 F- 94507 Champigny  
 sur Marne Cedex  
 Téléphone +33 1 5509 1430  
 Télécopie +33 1 5509 1449  
 struers@struers.fr

**BELGIUM (Flanders)**  
**Struers GmbH Nederland**  
 Zomerdijk 34 A  
 3143 CT Maassluis  
 Telefoon +31 (10) 599 7209  
 Fax +31 (10) 5997201  
 netherlands@struers.de

**CANADA**  
**Struers Ltd.**  
 7275 West Credit Avenue  
 Mississauga, Ontario L5N 5M9  
 Phone +1 905-814-8855  
 Fax +1 905-814-1440  
 info@struers.com

**CHINA**  
**Struers Ltd.**  
 No. 1696 Zhang Heng Road  
 Zhang Jiang Hi-Tech Park  
 Shanghai 201203, P.R. China  
 Phone +86 (21) 6035 3900  
 Fax +86 (21) 6035 3999  
 struers@struers.cn

**CZECH REPUBLIC & SLOVAKIA**  
**Struers GmbH Organiza ni složka**  
 v dekkotechnický park  
 P ílepská 1920,  
 CZ-252 63 Roztoky u Prahy  
 Phone +420 233 312 625  
 Fax +420 233 312 640  
 czechrepublic@struers.de  
 slovakia@struers.de

**GERMANY**  
**Struers GmbH**  
 Carl-Friedrich-Benz-Straße 5  
 D- 47877 Willich  
 Telefon +49 (0) 2154 486-0  
 Fax +49 (0) 2154 486-222  
 verkauf@struers.de

**FRANCE**  
**Struers S.A.S.**  
 370, rue du Marché Rollay  
 F-94507 Champigny  
 sur Marne Cedex  
 Téléphone +33 1 5509 1430  
 Télécopie +33 1 5509 1449  
 struers@struers.fr

**HUNGARY**  
**Struers GmbH**  
 Magyarországi Fióktelep  
 Tatai út 53  
 2821 Gyermely  
 Phone +36 (34) 880546  
 Fax +36 (34) 880547  
 hungary@struers.de

**IRELAND**  
**Struers Ltd.**  
 Unit 11 Evolution@ AMP  
 Whittle Way, Catcliffe  
 Rotherham S60 5BL  
 Tel. +44 0845 604 6664  
 Fax +44 0845 604 6651  
 info@struers.co.uk

**ITALY**  
**Struers Italia**  
 Via Monte Grappa 80/4  
 20020 Arese (MI)  
 Tel. +39-02/38236281  
 Fax +39-02/38236274  
 struers.it@struers.it

**JAPAN**  
**Marumoto Struers K.K.**  
 Takanawa Muse Bldg. 1F  
 3-14-13 Higashi-Gotanda,  
 Shinagawa  
 Tokyo  
 141-0022 Japan  
 Phone +81 3 5488 6207  
 Fax +81 3 5488 6237  
 struers@struers.co.jp

**NETHERLANDS**  
**Struers GmbH Nederland**  
 Zomerdijk 34 A  
 3143 CT Maassluis  
 Telefoon +31 (10) 599 7209  
 Fax +31 (10) 5997201  
 netherlands@struers.de

**NORWAY**  
**Struers ApS, Norge**  
 Sjøskogenveien 44C  
 1407 Vinterbro  
 Telefon +47 970 94 285  
 info@struers.no

**AUSTRIA**  
**Struers GmbH**  
 Zweigniederlassung Österreich  
 Betriebsgebiet Puch Nord 8  
 5412 Puch  
 Telefon +43 6245 70567  
 Fax +43 6245 70567-78  
 austria@struers.de

**POLAND**  
**Struers Sp. z o.o.**  
 Oddział w Polsce  
 ul. Jasnogórska 44  
 31-358 Kraków  
 Phone +48 12 661 20 60  
 Fax +48 12 626 01 46  
 poland@struers.de

**ROMANIA**  
**Struers GmbH, Sucursala Bucuresti**  
 Str. Preciziei nr. 6R  
 062203 sector 6, Bucuresti  
 Phone +40 (31) 101 9548  
 Fax +40 (31) 101 9549  
 romania@struers.de

**SWITZERLAND**  
**Struers GmbH**  
 Zweigniederlassung Schweiz  
 Weissenbrunnstraße 41  
 CH-8903 Birmensdorf  
 Telefon +41 44 777 63 07  
 Fax +41 44 777 63 09  
 switzerland@struers.de

## Ensuring Certainty

*With offices and affiliates in 24 countries and a presence in more than 50 countries worldwide, Struers is the world's leading materialographic solution supplier. We are dedicated to enabling our customers to ensure certainty in all aspects of materialographic preparation and testing as well as material hardness testing - wherever they are in the world. Struers offers a complete range of equipment, consumables, service and training programmes – all supported by the most comprehensive knowledge base, global applications support and a certified global service set-up.*

## Learn more

Contact a Struers sales representative today or visit [www.struers.com](http://www.struers.com)



**e-Shop**

Buy your consumables  
 in Struers e-Shop!  
[e-shop.struers.com](http://e-shop.struers.com)