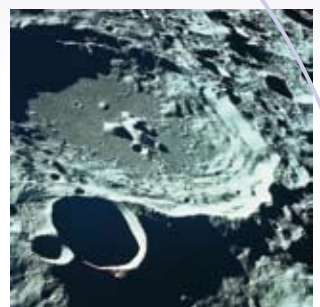
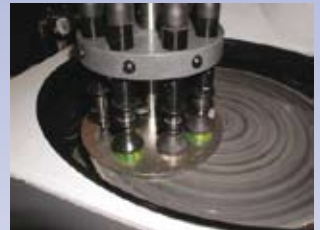


# Mineralogical Specimen Preparation



**A Complete Range  
of Equipment and  
Consumables**



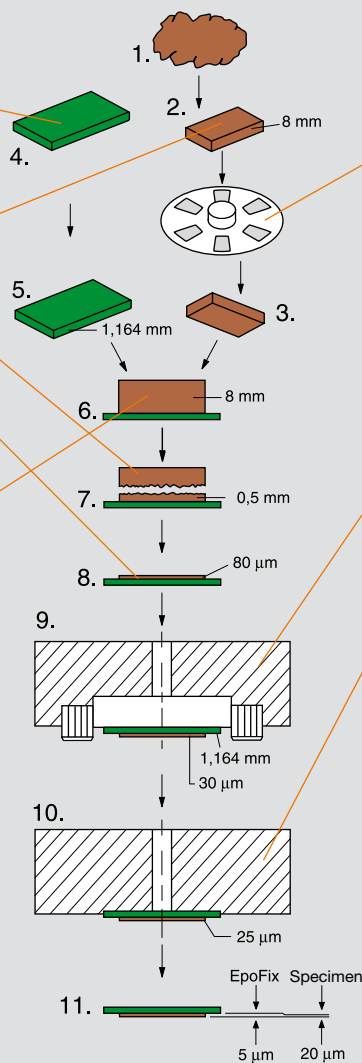
**Struers' range of equipment** and consumables for the preparation of mineralogical, geological and ceramic specimens covers the entire preparation process - from initial cutting to the finished thin section or polished section, ready for microscopic examination

**Struers' approach to mineralogy is based on four key points:**

- A thoroughly tested method for the production of thin sections without the need of special skills
- Equipment that is easy to handle
- Cost-efficiency
- Environmental protection

**The preparation of mineralogical, geological and ceramic specimens may be divided into two main groups:**

- Preparation of thin sections or polished thin sections for microscopic examination in transmitted or reflected light
- Preparation of specimens for microscopic examination in reflected light



### The TS-Method™ for Preparation of Thin Sections

1. Sampling.
2. Cutting of a specimen on Discoplan-TS.
3. Automatic lapping of the specimen on RotoPol-35/PdM-Force-20 lapping/polishing machine.
4. Glass slide 27 x 46 mm or 28 x 48 mm.
5. Grinding of glass slide in Discoplan-TS to a given thickness, e.g. 1.164 mm.
6. CitoVac vacuum impregnation unit: cementing of specimen to glass slide using EpoFix resin.
7. Discoplan-TS: cutting off surplus specimen material to a thickness of 0.5-2 mm.
8. Discoplan-TS: grinding of thin sections to a thickness of 80 µm (section + EpoFix resin), up to three specimens at a time.
9. Automatic lapping of thin section in BORTY thin section holder on RotoPol-35/PdM-Force-20. Final thickness of section + resin e.g. 30 µm.
10. Automatic polishing of thin sections in TYNDS thin section holder on RotoPol-35/PdM-Force-20. Reduction for a typical polishing: approximately 10 µm.
11. The specimen is now finished. Thickness: 20 µm.

### Cutting on one hand...

The left hand side of Discoplan-TS takes care of the cutting. A choice of two types of diamond cut-off wheels ensures perfect cutting of all materials, with a minimum of deformations.

The cutting module of Discoplan-TS also carries out re-sectioning of the specimen (cutting off surplus material): the thin section is easily fixed in a vacuum holder controlled by a guide rail on the table of the machine.

### ...Grinding on the Other

The right-hand side of Discoplan-TS is designed for precision grinding. For automatic preparation of thin sections all glass slides must have exactly the same thickness with a tolerance of a few µm. A built-in micrometer ensures extreme precision.

Time is saved in the final processing if the specimens can be precision ground to almost final thickness. Both these functions are carried out on the grinding module of Discoplan-TS.

### Outstanding Precision

The glass slides are placed on ceramic vacuum holders and are then moved across a cup wheel with diamonds. The slides or specimens may be ground with an accuracy of  $\pm 2$  µm in a couple of minutes.

The ceramic vacuum holder allows for dressing of the cup wheel. This feature is important to ensure absolute precision. The vacuum holder is designed for up to three standard specimens or standard slides at a time, or one specimen of up to as much as 75 x 75 mm.

### Accutom-50

For the occasional preparation of thin sections the precision cutting and grinding machine Accutom-50 can also be used.

On Accutom-50 both cut-off wheels for sectioning and cup-wheels for grinding can be used. The microprocessor controlled movement of the specimen allows for a positioning accuracy of 5 µm.

### Thin Sections

The production of thin sections requires highly specialized equipment. When you are dealing with a specimen thickness of e.g. 20 µm, there is no point in taking chances. For the preparation of thin sections, Struers has developed the TS-Method™, a technique which provides outstanding quality and very high reproducibility. Nevertheless, it is very easy to use. The cornerstone of the TS-Method™ is Discoplan-TS, a combined cutting and grinding machine specifically designed for the preparation of thin sections.

### Polished Sections

The preparation of mineralogical specimens for microscopic examination in reflected light is basically similar to the preparation of other materials. However, some special equipment is required. After cutting, the specimens are normally mounted in the vacuum impregnation unit CitoVac using EpoFix resin. Lapping is carried out on RotoPol-35/PdM-Force-20 by means of a cast iron lapping disc and the composite disc MD-Largo. The abrasives used are SiC powder and diamonds. Grinding, lapping and polishing can also take place on other semi-automatic or automatic preparation equipment.

### Discoplan-TS - Sophistication and Reliability

Discoplan-TS is a very versatile machine for fast and economical production of mineralogical thin sections. Discoplan-TS combines the cutting and grinding processes in one machine, thus reducing investments and allowing for very fast preparation procedures.



### PdM-Force-20 - Automation Means Reproducibility

PdM-Force-20 is a semi-automatic specimen mover for the production of thin sections, polished thin sections and polished specimens of mineralogical materials. The force is applied through springs which can be individually adjusted up to maximum load of 20N. PdM-Force-20 is designed for mounting on a RotoPol-35 grinding/polishing machine. RotoPol-35 has a variable speed from 40 to 600 rpm, making it possible to carry out grinding, lapping and polishing processes, including final polishing with oxide polishing suspensions.

### Automatic Lapping and Polishing of Thin Sections

Sections cut to a standard size on Disco-plan-TS, are lapped automatically on RotoPol-35/PdM-Force-20 - up to eight sections at a time. Subsequently, they are glued to a glass slide, then cut and ground on Disco-plan-TS.

To achieve the final thickness (e.g. 20  $\mu\text{m}$ ), the sections are now lapped and polished on RotoPol-35/PdM-Force-20: the specimens are placed either in a BORTY thin section holder with boron carbide support for lapping or in a TYNDS thin section holder for polishing - up to four holders at a time. During the preparation, each of the thin sections may be taken out of PdM-Force-20 separately for inspection without interfering with the preparation of the others. Due to the automated preparation process, RotoPol-35 with PdM-Force-20 produces specimens with very high reproducibility.

### CitoVac

Many mineralogical materials have cracks, cavities and pores. Such materials must be mounted under vacuum to ensure that the entire specimen is impregnated with resin. For this purpose, CitoVac has been developed. CitoVac is a vacuum impregnation unit, especially designed for mounting and impregnating of porous materials. Furthermore, CitoVac is very well suited for gluing specimens to glass slides for the production of thin sections. A special lid has to be used for gluing. With CitoVac both mounting and impregnation are carried out quickly and efficiently. CitoVac is easy to operate and extremely easy to clean.



Grinding with cup-wheel on Accutom-50



Thin section holders for lapping and polishing

### Thin Section Holders

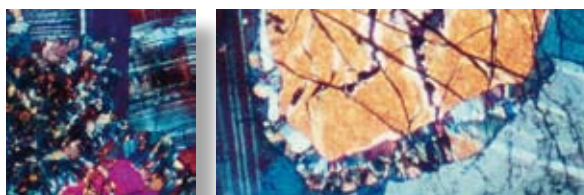
Thin section holders are indispensable tools in rational precision lapping and polishing of thin sections. Struers' thin section holders ensure plane specimens of perfect surface quality and well defined and uniform thickness. They are suited for both manual and automatic preparation.

### BORTY - Precision Lapping Holders with Boron Carbide Support

The BORTY thin section holders are provided with very hard sticks of boron carbide ( $\text{B}_4\text{C}$ ) which stop any further material removal when they make contact with the lapping disc. This method is fast and allows for the automatic preparation of multiple specimens on RotoPol-35/PdM-Force-20. Standard holders are available for glass slides in three sizes.

### TYNDS - Thin Section Holders for Polishing

As diamond is used for polishing the thin sections, BORTY can not be used as diamond also removes material from the boron carbide sticks. Therefore a holder which does not touch the polishing cloth must be used. The TYNDS thin section holders are designed to solve this problem. They have the same outer dimensions as the BORTY holders. Consequently, they can be used on the same equipment with the same specimen mover disc that has already been used for precision lapping. The holders ensure excellent polishing.



## Preparation Discs and Lapping Powders

### Cast Iron Lapping Disc

A cast iron disc (300 mm) for lapping is available. The disc is made of a special cast iron alloy which will resist long-term influence from SiC grains, regardless of grain size.

### MD-Piano

For the fast removal of material, grinding can be carried out using MD-Piano, a diamond grinding disc. MD-Piano is available in 5 grades, corresponding to a grit # size of 80, 120, 220, 600 and 1200. MD-Piano is part of the Struers MD-System

### MD-Largo

MD-Largo is a composite disc for fine-grinding. Diamond suspension or spray is applied in regular intervals during preparation. The special formulation of the composite material together with the use of diamonds as abrasive guarantees a uniform removal of material from different phases without smearing, deformation or chipping. The specimens will maintain a perfect planeness.

### Lapping Powders

Lapping on cast iron discs is carried out with SiC powder. Depending on the hardness of the material the specimen is lapped in a number of steps - from one to four. A wide range of grain sizes is available.



**Struers A/S**  
 Pederstrupvej 84  
 DK-2750 Ballerup, Denmark  
 Phone +45 44 600 800  
 Fax +45 44 600 801  
 struers@struers.dk

**NEDERLAND/BELGIE**  
**Struers GmbH Nederland**  
 Electraweg 5  
 NL-3144 CB Maasluis  
 Tel. +31 (0) 10 599 72 09  
 Fax +31 (0) 10 599 72 01  
 glen.van.vugt@struers.de

**POLAND**  
**Struers Sp. z o.o.**  
 Oddział w Polsce  
 ul. Lirowa 27  
 PL-02-387 Warszawa  
 Phone +48 22 824 52 80  
 Fax +48 22 882 06 43  
 grzegorz.uszynski@struers.de

**ROMANIA**  
**Struers GmbH**  
 Sucursala Sibiu  
 Str.Scoala de Inot, nr. 18  
 RO-550005 Sibiu  
 Phone +40 269 244 558  
 Fax +40 269 244 559  
 nicu-ovidiu.aunguroancei@struers.de

**SCHWEIZ**  
**Struers GmbH**  
 Zweigniederlassung Schweiz  
 Weissenbrunnenstrasse 41  
 CH-8903 Birmensdorf  
 Telefon +41 44 777 63 07  
 Fax +41 44 777 63 09  
 rudolf.weber@struers.de

**SINGAPORE**  
**Struers A/S**  
 627A Aljunied Road,  
 #07-08 BizTech Centre  
 Singapore 389842  
 Phone +65 6299 2268  
 Fax +65 6299 2661  
 struers.sg@struers.dk

**SWEDEN**  
**Struers A/S**  
 Ekbacksvägen 22, 3 tr  
 SE-168 69 Bromma  
 Telefon +46 (0)8 447 53 90  
 Telefax +46 (0)8 447 53 99  
 struers@struers.dk

**UNITED KINGDOM**  
**Struers Ltd.**  
 Unit 25a  
 Monkspath Business Park  
 Solihull B90 4NZ  
 Phone +44 0121 745 8200  
 Fax +44 0121 733 6450  
 info@struers.co.uk

**USA**  
**Struers Inc.**  
 24766 Detroit Road  
 Westlake, OH 44145-1598  
 Phone +1 440 871 0071  
 Fax +1 440 871 8188  
 info@struers.com

**ÖSTERREICH**  
**Struers GmbH**  
 Zweigniederlassung Österreich  
 Ginzkeyplatz 10  
 A-5020 Salzburg  
 Telefon +43 662 625 711  
 Fax +43 662 625 711 78  
 stefan.lintschinger@struers.de

**BELGIQUE (Wallonie)**  
**Struers S.A.S.**  
 370, rue du Marché Rollay  
 F- 94507 Champigny  
 sur Marne Cedex  
 Téléphone +33 1 5509 1430  
 Télécopie +33 1 5509 1449  
 struers@struers.fr

**BULGARIA**  
**Struers GmbH**  
 Branch Office Bulgaria  
 21 Mur Str.  
 BG-1680 Sofia  
 hristo.ivanov@struers.de

**CANADA**  
**Struers Ltd.**  
 7275 West Credit Avenue  
 Mississauga, Ontario L5N 5M9  
 Phone +1 905-814-8855  
 Fax +1 905-814-1440  
 info@struers.com

**CZECH REPUBLIC**  
**Struers GmbH**  
 Organizační složka  
 Havlíčkova 361  
 CZ-252 63 Roztoky u Prahy  
 Phone +420 233 312 625  
 Fax: +420 233 312 640  
 david.cernicky@struers.de

**CHINA**  
 Struers Ltd.  
 Office 702 Hi-Shanghai  
 No. 970 Dalian Road  
 Shanghai 200092, P.R. China  
 Phone +86 (21) 5228 8811  
 Fax +86 (21) 5228 8821  
 struers.cn@struers.dk

**DEUTSCHLAND**  
**Struers GmbH**  
 Karl-Arnold-Strasse 13 B  
 D-47877 Willich  
 Telefon +49 (0) 2154 486-0  
 Fax +49 (0) 2154 486-222  
 verkauf.struers@struers.de

**FRANCE**  
**Struers S.A.S.**  
 370, rue du Marché Rollay  
 F- 94507 Champigny  
 sur Marne Cedex  
 Téléphone +33 1 5509 1430  
 Télécopie +33 1 5509 1449  
 struers@struers.fr

**HUNGARY**  
**Struers GmbH**  
 Magyarországi fióktelep  
 Puskás Tivadar u. 4  
 H-2040 Budaörs  
 Phone +36 (23) 428-742  
 Fax +36 (23) 428-741  
 zoltan.kiss@struers.de

**IRELAND**  
**Struers Ltd.**  
 Unit 25a  
 Monkspath Business Park  
 Solihull B90 4NZ  
 Phone +44 (0)121 745 8200  
 Fax +44 (0)121 733 6450  
 info@struers.co.uk

**JAPAN**  
**Marumoto Struers K.K.**  
 Takara 3rd Building  
 18-6, Higashi Ueno 1-chome  
 Taito-ku, Tokyo 110-0015  
 Phone +81 3 5688 2914  
 Fax +81 3 5688 2927  
 struers@struers.co.jp

## Discoplan-TS

### Technical Data

1- or 3-phase  
 Rotational speed:  
 1400 rpm at 50 Hz, 1700 rpm at 60 Hz  
 Diamond cut-off wheel:  
 203 mm dia. 0.5-1.5 mm thickness  
 Diamond cup wheel: max 180 mm dia.  
 Precision scale including vernier: 1 µm  
 Vacuum chucks: 3 pieces, 30 x 50 mm  
 Dimensions: W x D x H: 700 x 370 x 320 mm  
 Weight: 65 kg  
 Recirculation cooling unit:  
 Dimensions: W x D x H: 500 x 400 x 410 mm  
 Weight: 7 kg

### Specifications

Precision thin section machine. With 3 vacuum chucks for grinding of 3 glass slides of 27 x 46 mm, 28 x 48 mm or 30 x 45 mm, or 2 glass slides of 1 x 3" and specimens. Including holder for cutting of rocks (75 x 75 mm), holder for cutting of standard specimens (8 x 20 x 30 mm), dial gauge and recirculation cooling unit (025361xx). Diamond cut-off wheels, diamond cup-wheels and vacuum pump are ordered separately. 037262xx

### Table unit

With compartment for recirculating cooling unit. 05116916

### Diamond Cup Wheel MOP15

Metal bonded, for grinding of hard, brittle materials on Discoplan-TS. 40800013

### Diamond Cup Wheel BOP15

Resin bonded, for grinding of hard, ductile materials on Discoplan-TS. 40800014

### Diamond Cut-off Wheel M4D20

For cutting of minerals and ceramics (HV 800). Metal bond. 202 mm dia. x 1.0 mm x 22 mm dia. 40000029

### Diamond Cut-off wheel B4D20

For cutting of sintered carbides and ceramics (HV 800). Bakelite bond. 202 mm dia. x 1.1 mm x 22 mm dia. 40000032

### Vacuum Pump

Used with vacuum chucks on Discoplan-TS and Accutom-50, -5 and -2. With vacuum: 780 mbar and output: 5.8 l/min. 037264xx

## RotoPol-35

### Technical Data

1-phase/3-phase  
 Rotational speeds: 40-600 rpm  
 Dimensions: W x D x H: 515 x 720 x 315 mm  
 Weight: 49 kg

### Specifications

Grinding/polishing machine with variable speed (40-600 rpm in steps of 10 rpm). For disc 300 mm dia. With water in- and outlet and water tap. Integrated system for cooling the preparation disc up to 300 rpm. 750 W motor. Lid (04926901) and discs are ordered separately. RotoPol-35 is a RotoSystem modul 052861xx

## PdM-Force-20

### Technical Data

1-phase  
 Dimensions: W x D x H: 140 x 355 x 315 mm  
 Weight: 12 kg

### Specifications

Automatic specimen mover for the preparation of mineralogical specimens. For mounting on, and power supply from RotoPol-35. Lubricator (05216906) included. Specimen mover plates have to be ordered separately 05236112

Cat.no.

## Specimen Mover Plates for PdM-Force-20

For 8 specimens, 25 mm dia.	05236901
For 8 specimens, 30 mm dia.	05236902
For 4 specimens, 40 mm dia.	05236903
For 4 specimens, 60 mm dia.	05236904
For 8 specimens 20 x 30 mm.	05236905

## Thin Section Holder BORTY

For lapping of thin sections. With Boron Carbide Sticks. 60 mm dia. Including 4 foils of 25 µm and 3 foils of 8 µm. 02686xxx

## Set of Copper Foils

Extra set of 4 pcs. 25 µm and 6 pcs. 8 µm. 02686901

## Thin Section Holder TYNDS

For polishing and lapping of thin sections, size 60 mm dia. 02686xxx

## CitoVac

**Dimensions:**  
 W x D x H 380 x 370 x 190 mm  
 Weight: 9.5 kg  
**Specifications**  
**CitoVac with built-in vacuum ejector**  
 Vacuum impregnation unit. Compressed air supply 4.5 - 6 bar required.  
 1 x 100-240 V / 50-60 Hz. 05926119

## CitoVac for external pump

Vacuum impregnation unit. External vacuum pump required. 1 x 100-240 V / 50-60 Hz. 05926219

## Lid for gluing

Complete with pressing rod and support ring for gluing specimens on glass slides for making thin sections. 05926904

## Accessories

**Standard Slides**  
 Standard Slides for thin sections, with ground edges. 100 pcs.  
 28 x 48 mm 40701018  
 27 x 46 mm 80100001

## Microcover Glass

To be used for covering thin sections. 24 x 32 mm. Abt. 100 pcs. 40701020

## Eukitt

Synthetic thermoplastic resin for mounting of cover glasses on thin sections. 500 ml. 41000004

## Cast Iron Lapping Disc

Concentrically grooved disc, for lapping of mineralogical specimens, 300 mm dia. 40800059

## SiC Powder

For lapping of mineralogical specimens. To be used on cast iron lapping disc. Grit: 120, 220, 320, 400, 600, 800, 1000, 1200 407010xx

## MD-Disc

Disc for magnetic fixation, 300 mm dia. 02426918

## MD-Piano

Diamond grinding disc for grinding of materials HV 150 - 2000  
 MD-Piano 80, 300 mm dia. 40800100  
 MD-Piano 120, 300 mm dia. 40800093  
 MD-Piano 220, 300 mm dia. 40800096  
 MD-Piano 600, 300 mm dia. 40800111  
 MD-Piano 1200, 300 mm dia. 40800107

## MD-Largo

Maintenance-free disc for one-step fine grinding, using diamonds 300 mm dia. 40500099

For further information on CitoVac, EpoFix, the MD-System and DP Diamond Products please see separate brochures.