

# Vacuum chuck

## User Guide



---

**Copyright**

The contents of this manual are the property of Struers ApS. Reproduction of any part of this manual without the written permission of Struers ApS is not allowed.

All rights reserved. © Struers ApS 2022.05.31.

---

## Table of Contents

<b>1 Overview</b> .....	<b>4</b>
<b>2 Instructions for use</b> .....	<b>4</b>
<b>3 Maintenance</b> .....	<b>6</b>
<b>4 Disposal</b> .....	<b>7</b>
<b>5 Manufacturer</b> .....	<b>7</b>

## 1 Overview

The vacuum pump, when used on Accutom-100, creates a minimum of 900 mbar vacuum with an airflow of 34 l/min to secure the glass slide.

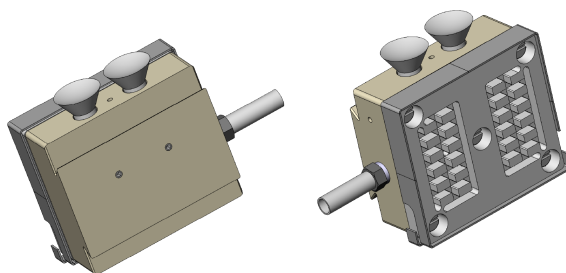
### Vacuum chuck 04276913

Vacuum chuck applicable for one 27 x 46 mm/28 x 48 mm glass slide.



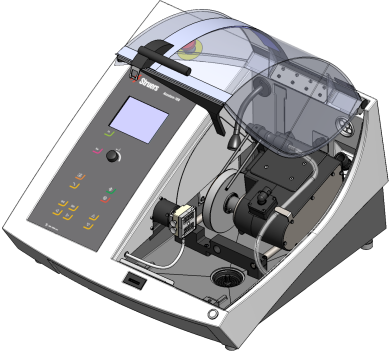
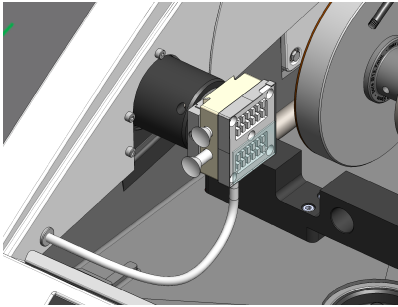
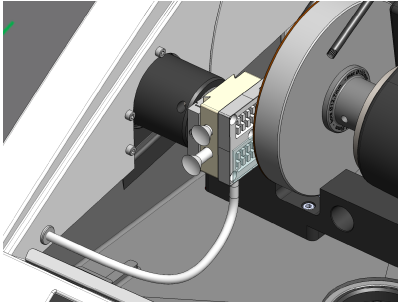
### Vacuum chuck 06176912

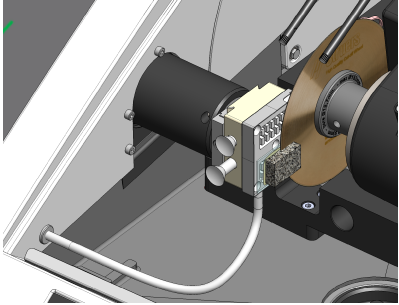
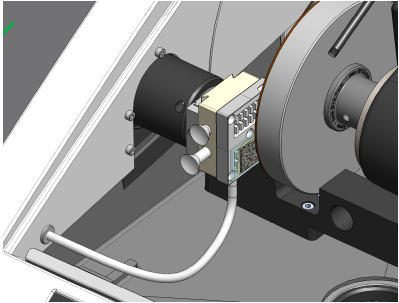
Vacuum chuck applicable for two 27 x 46 mm/28 x 48 mm glass slides or one 2 x 2" glass slide.



## 2 Instructions for use

The vacuum chuck for two glass slides is used in this instruction.

Procedure	
<p>1. Mount the vacuum chuck in the machine and connect the vacuum tube to the vacuum connection in the cutting chamber.</p>	
<p>2. Place one or two glass slides into the vacuum chuck and grind the glasses to the desired thickness.</p>	
<p>If the ceramic plate is not plane enough to hold the glasses, grind the ceramic surface of the chuck before placing the glass slides.</p>	

<b>Procedure</b>	
<p>3. Glue a specimen on the glass slide and cut off surplus specimen material to a thickness of 0.5-2 mm.</p>	
<p>4. Grind the specimen to the desired thickness.</p> <p>5. The specimen is now ready for final preparation on a grinding/polishing equipment</p>	

### 3 Maintenance

Proper maintenance is required to achieve the maximum up-time and operating lifetime of the device.

#### **Weekly**

1. Clean the device thoroughly.

## 4 Disposal



Equipment marked with a WEEE symbol contains electrical and electronic components and must not be disposed of as general waste.

Contact your local authorities for information on the correct method of disposal in accordance with national legislation.

For disposal of consumables and recirculation fluid, follow local regulations.

## 5 Manufacturer

Struers ApS  
Pederstrupvej 84  
DK-2750 Ballerup, Denmark  
Telephone: +45 44 600 800  
Fax: +45 44 600 801  
[www.struers.com](http://www.struers.com)

### **Responsibility of the manufacturer**

The following restrictions should be observed, as violation of the restrictions may cause cancellation of Struers legal obligations.

The manufacturer assumes no responsibility for errors in the text and/or illustrations in this manual. The information in this manual is subject to change without notice. The manual may mention accessories or parts not included in the supplied version of the equipment.

The manufacturer is to be considered responsible for effects on safety, reliability, and performance of the equipment only if the equipment is used, serviced, and maintained in accordance with the instructions for use.

