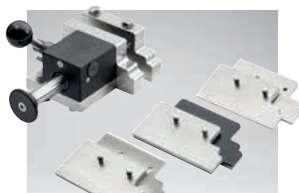


Labotom-5



Accessories

Cat. no.:

Quick Clamping Device

For securing the workpiece. To be mounted on the left side of the cut-off wheel. Complete with backstop. Max clamping width: 50 mm.

06316912

Vertical Clamping Device

For clamping irregularly shaped workpieces on the cutting table. Clamping height is adjustable up to 58 mm. Complete with operating key and one flat clamping shoe. Used for 10 mm T-slot.

05116905

Swivel shoes for Vertical Clamping Device

Set of 4 multi-shaped swivel shoes for Vertical Clamping Device (05046904, 05116905 or 05036915).

05116911

Arm Extension

For extending arm of Vertical Clamping Device (05036915, 05046904 and 05116905)

05046906

Vertical Quick Clamping Device

For securing the workpiece. To be mounted on the left side of the cut-off wheel. Max clamping width: 50 mm

06316922

Single Prism for Vertical Quick Clamping Device

Jaw block for optimum clamping of cylindrical and oval workpieces. For use with Vertical Quick Clamping Device for 10 mm T-slots (05876925).

05876926

Spring Clamp

For retaining the workpiece. Complete with backstop. To be mounted on Discotom-60/-65, Discotom-6 and Labotom-5 at the right side of the cut-off wheel. For 10 mm T-slots.

05136903

Fixed Stand

Stand for specimen holders with dovetail clamp. 40 mm manual positioning. For 10 mm T-slot.

05876927

Specimen Holder CATFF 04946904

Teardrop type with opening. For workpieces 15-40 mm dia.



Specimen Holder CATTY 04946905

With 7 screws for irregular workpieces. Max 40 mm width.

Specimen Holder CATSI 04946903

For general use. Max opening: 60 mm.



Specimen Holder CATRE 04946907

For cylindrical workpieces. Max opening 40 mm dia.

Safety Extension Box

For extending the cutting chamber when cutting long workpieces. To be mounted on the left side of Labotom-5.

For workpieces with a maximum size of H x W: 90 mm / 3.5" dia. or 120 x 42 mm / 4.7" x 1.7"

Dimensions, W x D x H: 652 x 120 x 95 mm / 6.5" x 4.7" x 3.7"

06046903

For more information regarding clamping tools and cut-off wheels please see special brochures.

Technical data

Cut-off wheel

Size	250 mm / 10" dia.
Arbor size	32 mm / 1.26" dia.
Rotational speed (running idle)	2845 rpm (50 Hz) / 3450 rpm (60 Hz)
Cutting capacity *	90 mm dia. / 3.5" dia. or 42 x 120 mm or 1.7" x 4.7"

Cutting table

Width	316 mm / 12.4"
Depth	225 mm / 8.9"
T-slots	10 mm

Cutting motor

Voltages	Nominal load S3 (60%)	Intermittent S3 (15 %)	Fuse
3 x 200 V / 50 Hz	2.2 kW / 3.0 HP	3.2 kW / 4.3 HP	40 A
3 x 200 - 210 V / 60 Hz	2.6 kW / 3.5 HP	3.2 kW / 4.3 HP	30 A
3 x 220 - 230 V / 50 Hz	2.2 kW / 3.0 HP	3.2 kW / 4.3 HP	40 A
3 x 220 - 240 V / 60 Hz	2.6 kW / 3.5 HP	3.2 kW / 4.3 HP	30 A
3 x 380 - 415 V / 50 Hz	2.2 kW / 3.0 HP	3.2 kW / 4.3 HP	40 A
3 x 380 - 415 V / 60 Hz	2.6 kW / 3.5 HP	3.2 kW / 4.3 HP	30 A
3 x 460 - 480 V / 60 Hz	2.6 kW / 3.5 HP	3.2 kW / 4.3 HP	30 A

Dimensions

Width	700 mm / 27.6"
Width with handle and liquid gun	960 mm / 37.8"
Depth	760 mm / 29.9"
Depth with plug	808 mm / 31.8"
Height, machine	440 mm / 17.3"
Height, handle	520 mm / 20.5"
Height, open cover	942 mm / 37.1"
Weight	75 kg / 165 lbs

Surrounding temperature	5 - 40 °C / 41-104 °F
-------------------------	-----------------------

Humidity	35 - 85 % RH, non condensing
----------	------------------------------

* The actual cutting capacity depends on the specific workpiece dimensions, cut-off wheel and clamping technique.

Specifications

Labotom-5

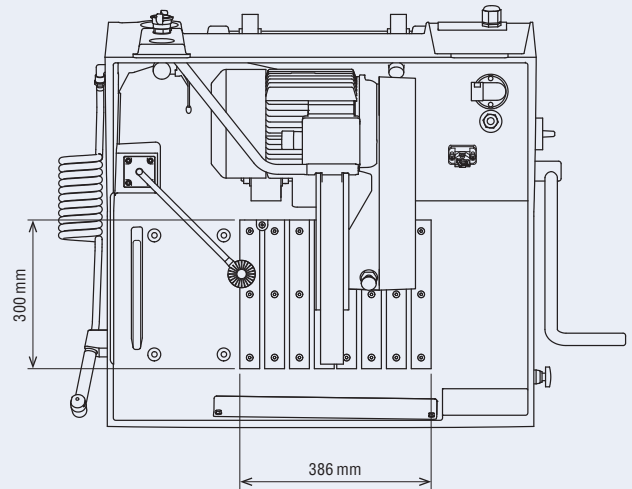
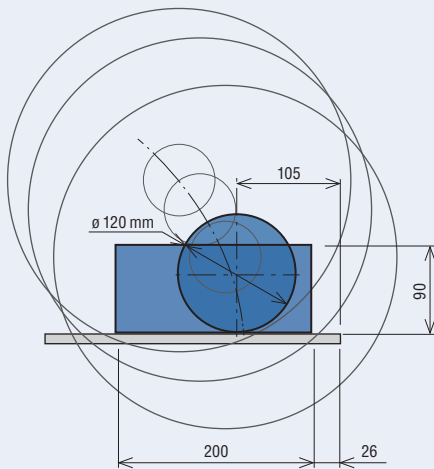
Manual cut-off machine. Motor power 2.2 / 2.6 kW (3.0 / 3.5 HP). For 250 mm (10") cut-off wheels.

With cutting table with 10 mm T-slots. Recirculation cooling unit (05766xxx) and clamping tools are ordered separately. Optional table unit (06266101) can be used. A selection guide for cut-off wheels is included in the digital consumables catalogue on the Struers website.

Cat. no.:	Voltage
06046229	3 x 200 V / 50 Hz
06046230	3 x 200-210 V / 60 Hz
06046235	3 x 220-230 V / 50 Hz
06046236	3 x 220-240 V / 60 Hz
06046246	3 x 380-415 V / 50 Hz
06046247	3 x 380-415 V / 60 Hz
06046254	3 x 460-480 V / 60 Hz

Labotom-15

CUTTING SPECIFICATIONS - Labotom-15



TECHNICAL DATA

Cut-off wheel

Size	350 mm / 14" dia. (300 mm / 12" dia.)
Arbor size	32 mm / 1.26" dia.
Rotational speed (running idle)	2350 rpm
Cutting capacity *	120 mm dia. / 4.7" dia. or 90 x 200 mm / 3.5" x 8"

Cutting table

Width	300 mm / 11.8"
Length	386 mm / 15.2"
T-slots	10 mm

Cutting motor

Voltages	Nominal load S1	Intermittent S3 (15 %)	Fuse
3 x 200 V / 50 Hz	5.2 kW / 7.0 HP	7.5 kW / 10 HP	50 A
3 x 200 - 210 V / 60 Hz	6.3 kW / 8.3 HP	8.5 kW / 11.4 HP	50 A
3 x 220 - 230 V / 50 Hz	5.2 kW / 7.0 HP	7.5 kW / 10 HP	50 A
3 x 220 - 240 V / 60 Hz	6.3 kW / 8.3 HP	8.5 kW / 11.4 HP	50 A
3 x 380 - 415 V / 50 Hz	5.2 kW / 7.0 HP	7.5 kW / 10 HP	40 A
3 x 460 - 480 V / 60 Hz	6.3 kW / 8.3 HP	8.5 kW / 11.4 HP	40 A

Dimensions

Width	870 mm / 34.3"
Width with handle	1086 mm / 42.8"
Depth	877 mm / 34.5"
Height	660 mm / 26"
Height, open cover	1045 mm / 41.1"
Weight	180 kg / 397 lbs

Noise level 70 dBA, at idle running, at a distance 1.0 m / 39.4"

Surrounding temperature 5 - 40 °C / 41-104 °F

Humidity 0 - 95 % RH, non condensing

Safety Please refer to the Declaration of Conformity

SPECIFICATIONS

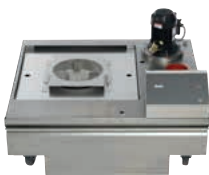
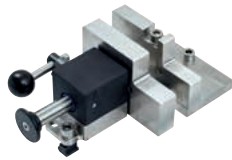
Manual cut-off machine. Motor power 5.2 / 6.3 kW (7.0 / 8.3 HP). For 350 mm (14") dia. cut-off wheels. 10 mm T-slots cutting table.

Recirculation cooling unit (057667xx), quick-clamping device (05876909), vertical quick clamping device (05876933), spring clamp (05136903) and vertical clamping system (05116905), respectively, are ordered separately.

Optional table unit (06266101) can be used.

Cat. no:	Voltage
06056129	3 x 200 V / 50 Hz
06056130	3 x 200-210 V / 60 Hz
06056135	3 x 220-230 V / 50 Hz
06056136	3 x 220-240 V / 60 Hz
06056146	3 x 380-415 V / 50 Hz
06056154	3 x 460-480 V / 60 Hz

* The actual cutting capacity depends on the specific workpiece dimensions, cut-off wheel and clamping technique.



ACCESSORIES AND CONSUMABLES

Cat.no

Quick Clamping Device

For securing the workpiece. To be mounted on the left side of the cut-off wheel. Complete with backstop. Max clamping width: 50 mm.

06316912

Vertical Clamping Device

For clamping irregularly shaped workpieces on the cutting table. Clamping height is adjustable up to 58 mm. Complete with operating key and one flat clamping shoe. Used for 10 mm T-slot.

05116905

Swivel shoes for Vertical Clamping Device

Set of 4 multi-shaped swivel shoes for Vertical Clamping Device (05046904, 05116905 or 05036915).

05116911

Arm Extension

For extending arm of Vertical Clamping Device (05036915, 05046904 and 05116905)

05046906

Riser block for 10 mm T-slots

For elevating vertical clamping system (05116905) when clamping high workpieces. To increase the clamping height by 60 mm

05116910

Vertical Quick Clamping Device

For securing the workpiece. To be mounted on the left side of the cut-off wheel. Max clamping width: 50 mm

05876925

High Vertical Quick Clamping Device

For securing the workpiece. To be mounted on the left side of the cut-off wheel. Max clamping width: 85 mm

05876933

Single Prism for Vertical Quick Clamping Device

Jaw block for optimum clamping of cylindrical and oval workpieces. For use with Vertical Quick Clamping Device for 10 mm T-slots (05876925).

05876926

Spring Clamp

For retaining the workpiece. Complete with backstop. To be mounted on Discotom-60/-65, Discotom-6, Labotom-5 and Labotom-15 at the right side of the cut-off wheel. For 10 mm T-slots.

05136903

Low Quick Clamping Device

With 42 mm high clamping plate and backstop for right-hand side of the cut-off wheel on Labotom-15. For retaining the cut-off part of the workpiece. For 10 mm T-slots.

05876932

Safety Extension Box

For extending the cutting chamber when cutting long workpieces. To be mounted on the left-hand side of Labotom-15. For workpieces with a maximum size of: 120 mm / 4.7" dia. or 200 x 90 mm / 8" x 3.5". Dimensions: 512 x 320 x 320 mm / 20.1 x 12.6 x 12.6"

06056903

Additional Cooling Unit

Cooling unit with one water jet for flexible cooling of the workpieces.

06056902

Cooling System 4

With 100 l tank, large pump, Cooli-1, filter bag and adapter plate, consists of: 05766905, 057660xx, 05761116, 05766928, 05766927

Voltage

1 x 100 V / 50 Hz

05766716

1 x 100-120 V / 60 Hz

05766723

1 x 220-240 V / 50Hz

05766722

1 x 220-240 V / 60 Hz

05766724

Table unit

For Discotom and Labotom cut-off machines. With compartment for recirculation cooling unit, drawer for tools and shelves for cut-off wheels. Width: 930 mm, depth: 950 mm, height: 800 mm.

06266101

Struers' equipment is in conformity with the provisions of the applicable International Directives and their appurtenant Standards. (Please contact your local supplier for details)

Struers' products are subject to constant product development. Therefore, we reserve the right to introduce changes in our products without notice.