

Specifications

StructureExpert Weld-5

Dedicated imaging system for weld bead measurement. Consists of compact housing, LED lighting system, digital camera with motorized zoom and dedicated software for measurement and reporting. Field of view from 80 to 4.5 mm (3.1" to 0.2"), equivalent to 2.5x - 50x magnification. Includes 5 glass windows (CLSET001), 2 protection covers, calibration plate (CLCAL001) and necessary cables.

Additional software modules (CLOUT002, CLOUT003, CLDAT002) are ordered separately. UKAS certificate (CLUKA001) for calibration plate and Plastic covers (CLSET002) are optional. PC and monitor are required, but not included.

Cat. no:

CLWEL019

StructureExpert Weld-11

Dedicated imaging system for weld bead measurement. Consists of compact housing, LED lighting system, digital camera with motorized zoom and dedicated software for measurement and reporting. Field of view from 8.27 to 0.68 mm (0.33" to 0.03"), equivalent to 20x - 240x magnification. Includes 5 glass windows (CLSET001), 2 protection covers, calibration plate (CLCAL003) and necessary cables.

Additional software modules (CLOUT002, CLOUT003, CLDAT002) are ordered separately. UKAS certificate (CLUKA002) for calibration plate and Plastic covers (CLSET002) are optional. PC and monitor are required, but not included.

CLSYS011

Accessories

Glass Window

Glass windows for StructureExpert Weld, 5 pcs.

Cat. no:

CLSET001

Glass Window, hardened

Hardened glass windows for StructureExpert Weld, 5 pcs.

CLWEL003

Process Tracking Module

Software module for process tracking of measurement evolution over a specific time period.

CLOUT002

Data View Module

Software module for extended display of old measurement data and for edition of old measurement results.

CLDAT002

Min & Max Action Limit Module

Software module for definition of additional min./max. action limits (in addition to the standard min./max. acceptance criteria limits.) Includes additional report templates.

CLOUT003

Report Generator Module

Software module for creation and editing of Excel report templates.

CLREP002

Plastic Covers

Plastic covers for prevention of water and dirt entering the camera chamber. With mounting bracket. 100 pcs.

CLSET002

Calibration Plate

Calibration plate for calibration of StructureExpert Weld-5 measurement software. 50 mm. Including accredited certificate CLUKA001

CLCAL001
CLCAL001C

Calibration Plate

Calibration plate for calibration of StructureExpert Weld-11 measurement software. 50 mm. Including accredited certificate CLUKA002

CLCAL003
CLCAL003C

UKAS Certificate for Calibration Plate

Accredited certificate (UKAS) for calibration plate CLCAL001. 10 points calibration. Can only be ordered in combination with CLWEL019.

CLUKA001

UKAS Certificate for Calibration Plate

Accredited certificate (UKAS) for calibration plate CLCAL003. 10 points calibration. Can only be ordered in combination with CLSYS011.

CLUKA002

Coaxial illumination for StructureExpert Weld-11

Illumination system for improved structural analysis. For StructureExpert Weld-11

CLWE0020

General Data

StructureExpert Weld-5

H x W x D: 35 x 24.5 x 22 cm (13.8 x 9.6 x 8.7")
4 Kg / 9 lbs

StructureExpert Weld-11

H x W x D: 42.5 x 24.8 x 22 cm (16.7 x 9.8 x 8.7")
6 Kg / 13 lbs

Power supply

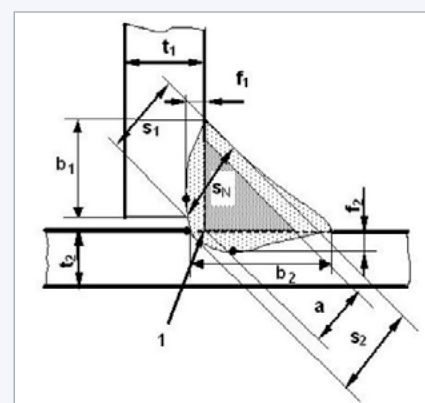
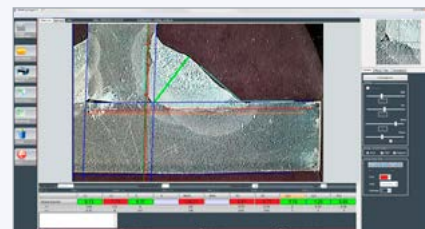
1 x 110-220 V / 50-60 Hz

PC recommendations

Windows XP Pro SP3 / Windows Vista /
Windows 7 / Windows 8 / Windows 10, 32 & 64 bits
2 Ghz Processor / 2 GB RAM /
1280x1024 graphic card (min.)
Excel 2003 Pro Edition or higher
Min. 2 x USB 2.0 ports (camera + dongle)
19" LCD monitor

Struers' equipment is in conformity with the provisions of the applicable International Directives and their appurtenant Standards. (Please contact your local supplier for details)

Struers' products are subject to constant product development. Therefore, we reserve the right to introduce changes in our products without notice.



Measurement

Measurements are easily performed according to individual standards and acceptance criterias. Red or green colours quickly indicate whether you are in or outside tolerances.